

# POOL4-IM

Swimming Pool



POOL4 4-550 pump with permanent magnets synchronous motor and variable speed drive. The combination of these two innovative technologies, assure IE5 efficiency and energy savings up to 80%. The system allows the programming of 4 daily filtration cycles with different operating speed for each cycle. In installations with several pumps they automatically communicate and alternate to work the same amount of hours.



Variable speed drive

## Construction features

<b>Painting</b>	cataphoresis
<b>Pump body, seal housing, diffuser</b>	polypropylene + fiberglass
<b>Motor bracket</b>	aluminum
<b>Impeller</b>	Noryl®
<b>Mechanical seal</b>	ceramic-graphite-AISI 316
<b>Motor shaft</b>	stainless steel AISI 316
<b>Liquid temperature</b>	max 40 °C
<b>Pre-filter cover</b>	polycarbonate
<b>Support base</b>	Noryl®

## VSD

**Power supply** 3~ 380V - 60Hz

## Motor

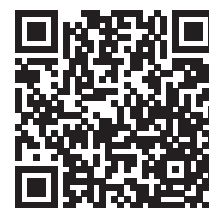
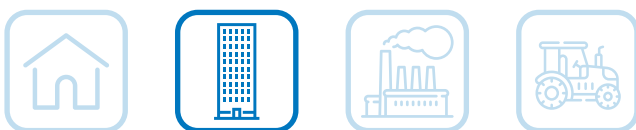
**4 poles induction motor** 3~ 220V/380V - 60Hz

**Insulation class** F

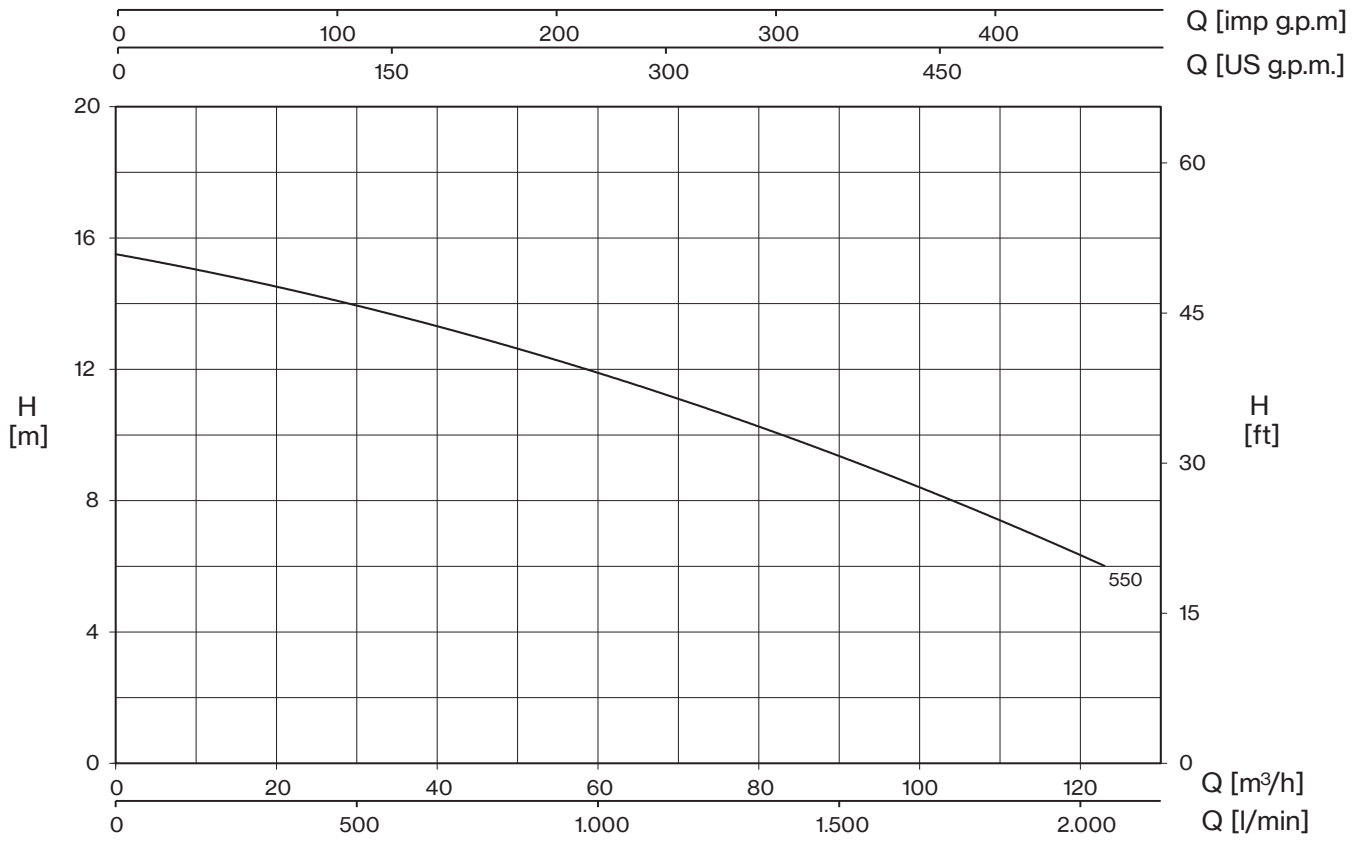
**Protection degree** IP55

UP TO  
**80%**  
ENERGY SAVING

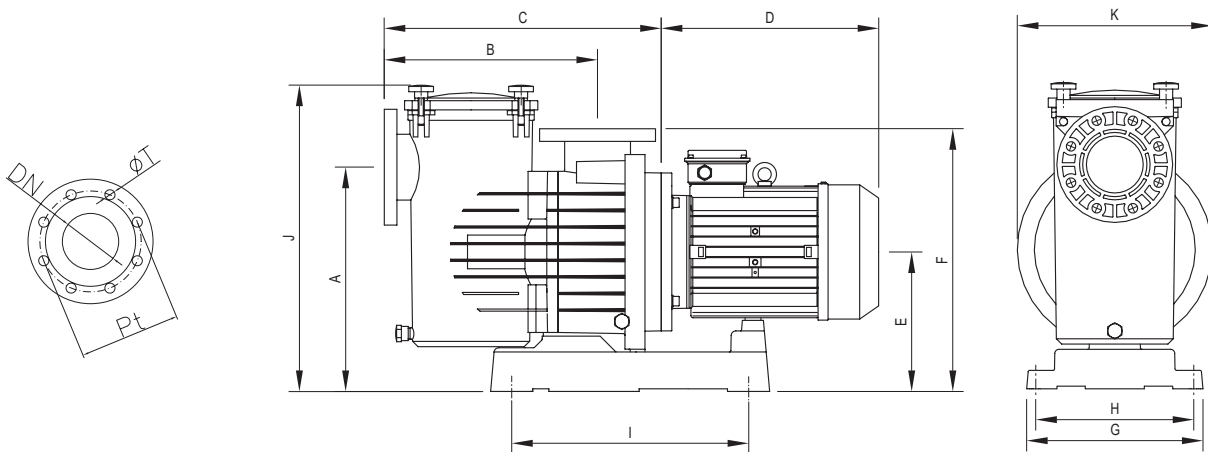
efficiency class  
**IE5**



# POOL4-IM



TYPE - 60 Hz	P2		rpm	H (m)					Minimum size of suction pipe
	HP	kW		6	8	10	12	14	
3~				Q (m³/h)					
<b>POOL4-IM 4-550</b>	5,5	4	1750	123	104	84	57	30	160



TYPE	DIMENSIONS (mm)																	
	A	B	C	D	E	F	G	H	I	J	K	DNA	DNM	ØT	Pt	A1	H1	L1
<b>POOL4-IM 4-550</b>	420	405	530	335	265	495	335	300	450	590	370	110	16	180	385	715	1170	53,4

