

# POOL1 EASY

Swimming Pool



POOL1 pumps with electronic EASY control panel for an intuitive setting of the pool. It includes dry running and overload protection, security for people, filtration timers and input / outputs for the management of the lighting system, salt chlorinator, heat pump, temperature probe.



EASY control panel

## Construction features

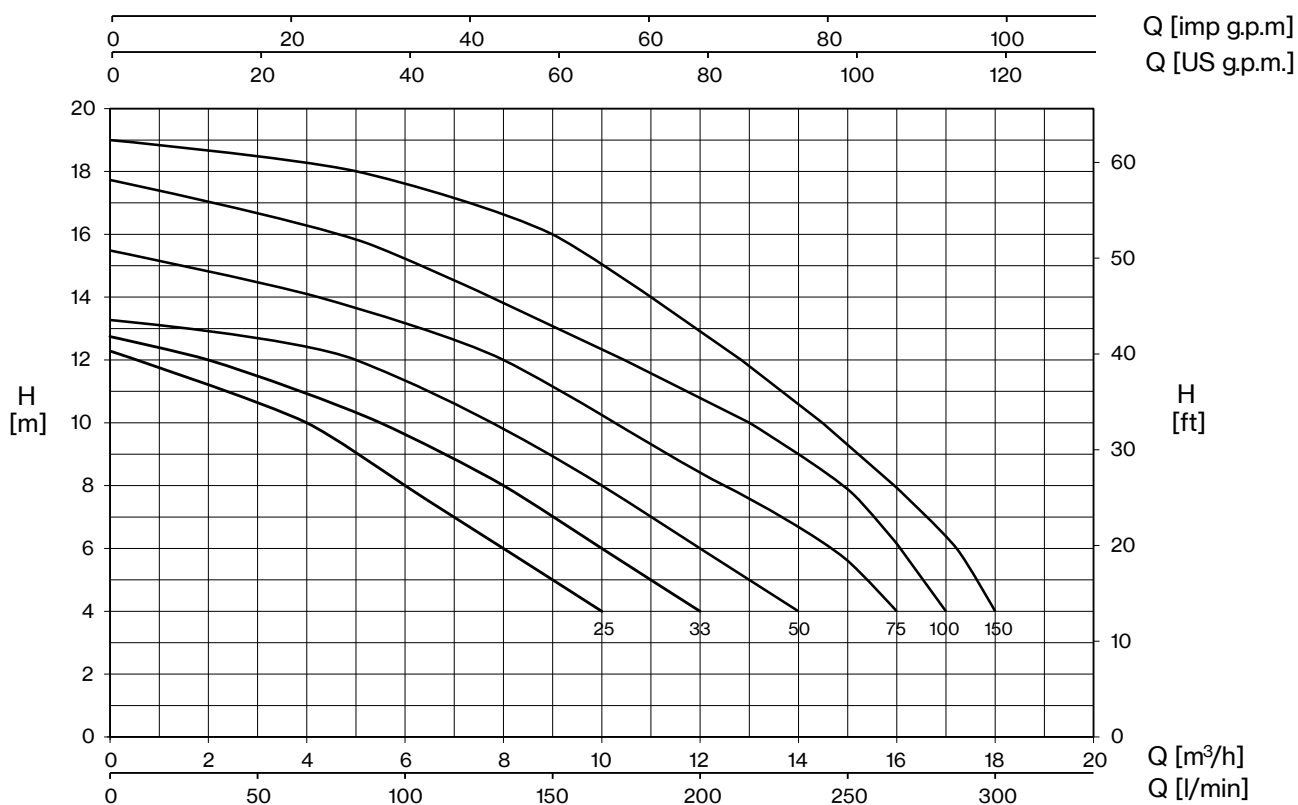
<b>Painting</b>	cataphoresis
<b>Pump body, seal housing, diffuser</b>	polypropylene + fiberglass
<b>Motor bracket</b>	aluminum
<b>Impeller</b>	Noryl®
<b>Mechanical seal</b>	ceramic-graphite-AISI 316
<b>Motor shaft</b>	stainless steel AISI 316
<b>Liquid temperature</b>	max 40 °C
<b>Pre-filter cover</b>	polycarbonate

## Motor

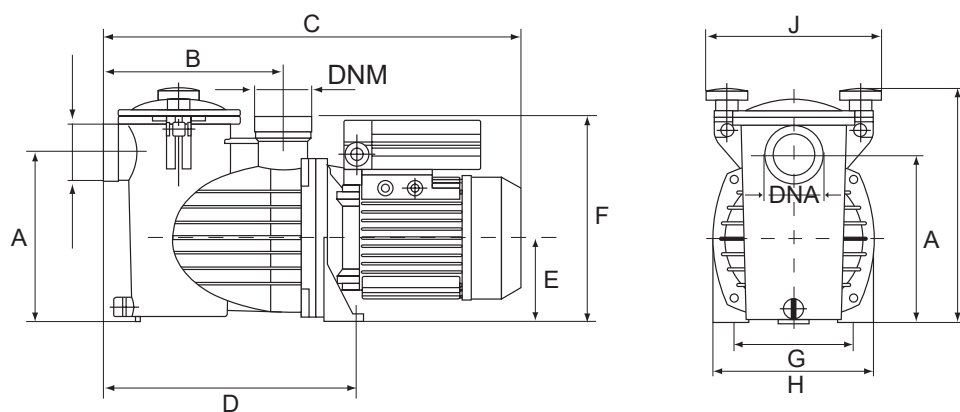
<b>2 poles induction motor</b>	1~ 230V - 50Hz
<b>Insulation class</b>	F
<b>Protection degree</b>	IP55



# POOL1 EASY



TYPE - 50 Hz	P2		CURRENT	H (m)									
				1- 230V	4	6	8	10	12	14	16	18	
1-	HP	kW	A	Q (m³/h)									
POOL1 EASY 25M	0,25	0,16	2,6	10,0	8,0	6,0	4,0	0,5					
POOL1 EASY 33M	0,33	0,25	2,9	12,0	10,0	8,0	5,5	2,0					
POOL1 EASY 50M	0,5	0,37	3,3	14,0	12,0	10,0	7,0	5,0					
POOL1 EASY 75M	0,75	0,55	3,8	16,0	15,0	12,5	10,0	8,0	4,2				
POOL1 EASY 100M	1	0,75	4,2	17,0	16,0	15,3	13,0	10,5	7,6	5,5			
POOL1 EASY 150M	1,5	1,1	7,3	18,0	17,3	15,9	14,5	12,8	11,0	9,0	5,0		



TYPE	DIMENSIONS (mm)														Kg	
	A	B	C	D	E	F	G	H	I	J	DNA	DNM	L1	A1		H1
POOL1 EASY 25M	191	205	470	285	95	233	140	180	265	197	1" 1/2 Ø 50 PVC		630	230	360	9,5
POOL1 EASY 33M	191	205	470	285	95	233	140	180	265	197			630	230	360	9,5
POOL1 EASY 50M	191	205	470	285	95	233	140	180	265	197			630	230	360	9,5
POOL1 EASY 75M	191	205	470	285	95	233	140	180	265	197			630	230	360	10,9
POOL1 EASY 100M	191	205	470	285	95	233	140	180	265	197			630	230	360	10,9
POOL1 EASY 150M	191	205	470	285	95	233	140	180	265	197			630	230	360	11,6

