

# PTR12-PTR14

Deepwell Motors

12" - 14" rewindable submersible water-filled motors. Power from 185 kW up to 400 kW. It is available with DOL or STAR-DELTA starting type. Standard PE2+PA winding, for temperatures up to 30°C.

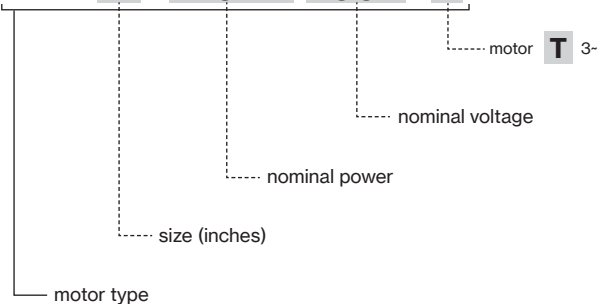


## Construction features

<b>Upper and bottom support</b>	GG25 or stainless steel AISI 316
<b>Stator sleeve</b>	stainless steel AISI 316
<b>Shaft end</b>	stainless steel
<b>Mechanical seal</b>	SIC / SIC / NBR
<b>Bearings</b>	steel / NBR
<b>Voltage</b>	3- 380-460V - 60Hz
<b>Cooling flow</b>	min 0,5 m/s
<b>Insulation class</b>	F
<b>Insulation</b>	PE2 + PA
<b>Protection degree</b>	IP68
<b>Available on demand</b>	<ul style="list-style-type: none"> <li>- Full motor in AISI 316</li> <li>- Full motor in AISI 904</li> <li>- PT 100</li> <li>- Star/Delta starting</li> <li>- Cooling Sleeve</li> <li>- Clockwise rotation</li> </ul>

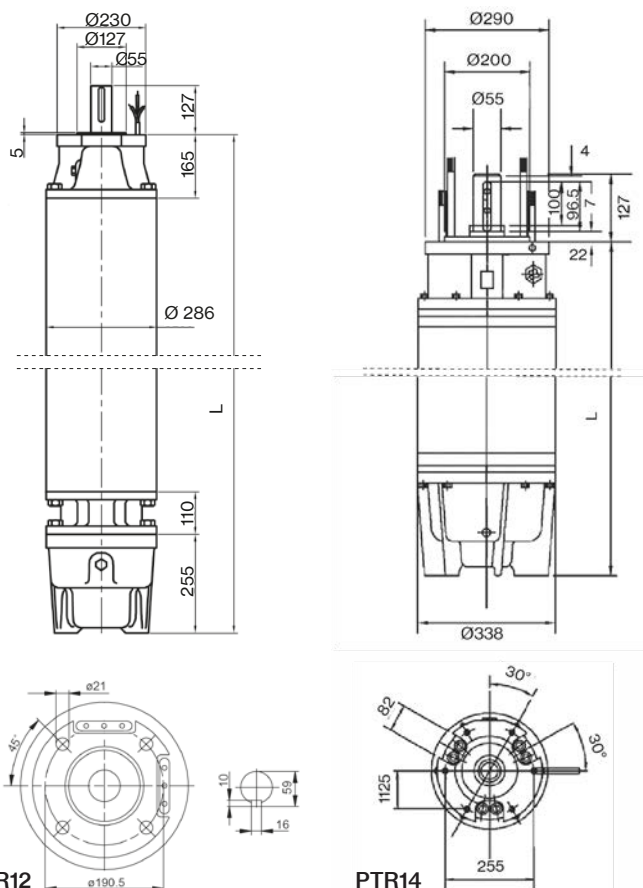


### PTR 12 - 220kW-400V - T

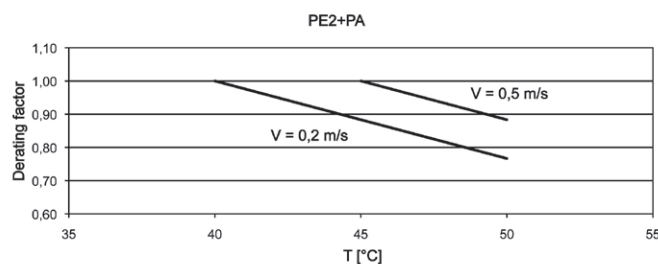


TYPE 3- 380V	V	P <sub>2</sub>		I <sub>N</sub>	I <sub>s</sub> /I <sub>N</sub>	P <sub>1</sub>	rpm	Efficiency	Cos Φ	CABLE	
		HP	kW							A	Lenght m
PTR12 - 220kW	460	300	220	452	6,41	306	3525	87,9	0,85	8	4x70
PTR12 - 250kW	460	340	250	510	6,82	345	3525	88	0,85		4x70
PTR14 - 294kW	460	400	300	595	6,00	389	3540	89	0,82		3x70+1x50
PTR14 - 330kW	460	450	330	645	6,00	427	3545	90	0,83		3x70+1x50
PTR14 - 367kW	460	500	370	725	6,50	480	3550	90	0,83		3x70+1x50
PTR14 - 404kW	460	550	400	750	6,50	520	3540	90	0,87		3x70+1x50

TYPE	DIMENSIONS				Kg
	Power		Axial load N	L mm	
	HP	kW			
PTR12 - 220kW	300	220	70000	2110	700
PTR12 - 250kW	340	250		2280	775
PTR14 - 294kW	400	300	70000	2020	845
PTR14 - 330kW	450	330		2160	906
PTR14 - 367kW	500	370		2320	1010
PTR14 - 404kW	550	400		2460	1105

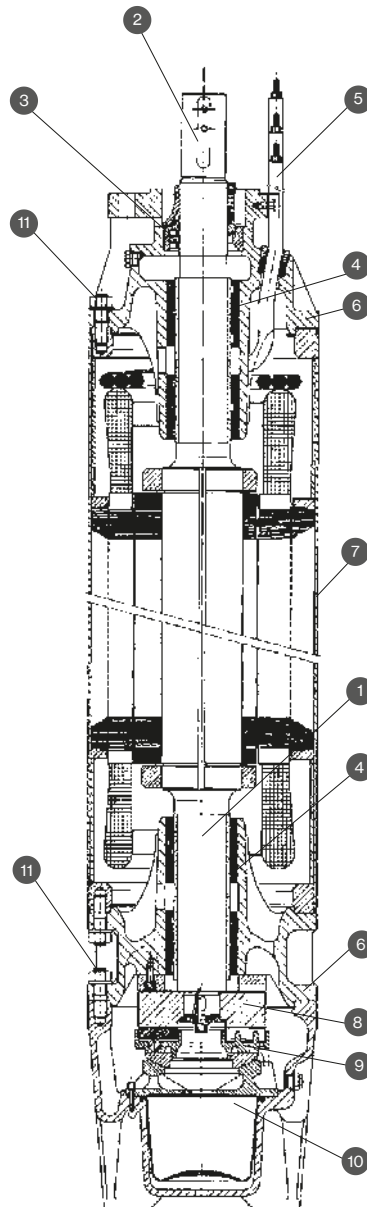


### POWER DERATING AT DIFFERENT LIQUID TEMPERATURE



For PTR12 versions the maximum liquid temperature is 10 °C lower than that indicated in the graph.

# PTR12/PTR14



N.	PARTS	STD VERSION	VERSION 316 SS	VERSION 904 SS
1	<b>SHAFT</b>	stainless steel	stainless steel	stainless steel
2	<b>SHAFT TERMINAL</b>	AISI 316 stainless steel	AISI 316 stainless steel	AISI 904 stainless steel
3	<b>MECHANICAL SEAL</b>	ceramic/carbon	SIC/SIC	SIC/SIC
4	<b>BUSHES</b>	steel/NBR	steel/NBR	steel/NBR
5	<b>CABLE</b>	EPDM	EPDM	EPDM
6	<b>STRUCTURAL PARTS</b>	cast iron	AISI 316 stainless steel	AISI 904 stainless steel
7	<b>JACKET</b>	AISI 316 stainless steel	AISI 316 stainless steel	AISI 904 stainless steel
8	<b>THRUST PLATE</b>	steel	steel	steel
9	<b>THRUST BEARING</b>	steel/NBR	steel/NBR	steel/NBR
10	<b>DIAPHRAGM</b>	EPDM	EPDM	EPDM
11	<b>SCREWS</b>	AISI 304 stainless steel	AISI 316 stainless steel	AISI 904 stainless steel