

PTR12-PTR14

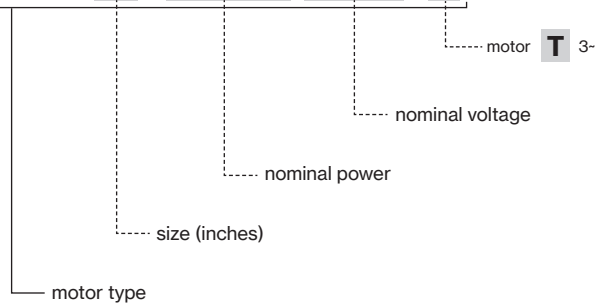
12" - 14" rewindable submersible water-filled motors. Power from 185 kW up to 400 kW. Standard PE2+PA winding, for temperatures up to 30°C.

Construction features

| | |
|---------------------------------|---|
| Upper and bottom support | GG25 or stainless steel AISI 316 |
| Stator sleeve | stainless steel AISI 316 |
| Shaft end | stainless steel |
| Mechanical seal | SIC / SIC / NBR |
| Bearings | steel / NBR |
| Voltage | 3~ 380-400V - 50Hz |
| Cooling flow | min 0,5 m/s |
| Insulation class | F |
| Insulation | PE2 + PA |
| Protection degree | IP68 |
| Available on demand | <ul style="list-style-type: none"> - Full motor in AISI 316 - Full motor in AISI 904 - PT 100 - Star/Delta starting - Cooling Sleeve - Clockwise rotation |



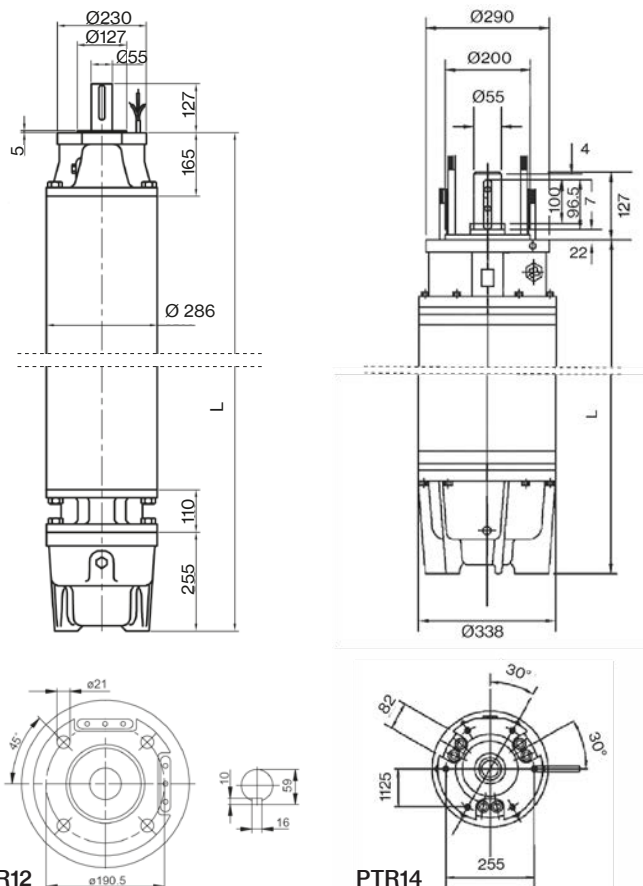
PTR 12 - 220kW-400V - T



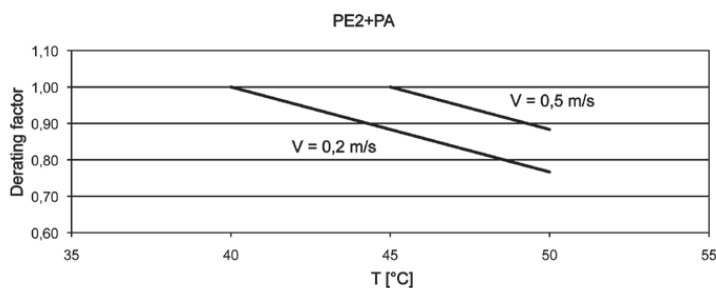
PTR12/PTR14

| TYPE 3- 400V | V | P ₂ | | I _N A | I _s /I _N | P ₁ kW | rpm | Efficiency % | Cos Φ | CABLE | |
|-----------------|-----|----------------|-----|---------------------|--------------------------------|----------------------|------|-----------------|-------|-------------|-------------------------|
| | | HP | kW | | | | | | | Lenght m | Size mm ² |
| | | PTR12 - 220kW | 400 | 300 | 220 | 424 | 6,1 | 250 | 2920 | 88 | 0,85 |
| PTR12 - 250kW | 400 | 340 | 250 | 481 | 5,9 | 284 | 2920 | 88 | 0,85 | 3×70+1×50 | |
| PTR14 - 294kW | 380 | 400 | 300 | 551 | 5,8 | 327 | 2900 | 90 | 0,9 | 8 | 3×95+1×50 |
| PTR14 - 330kW | 380 | 450 | 330 | 620 | 6 | 367 | 2900 | 90 | 0,9 | | 3×95+1×50 |
| PTR14 - 367kW | 380 | 500 | 370 | 693 | 6,4 | 406 | 2900 | 90,5 | 0,89 | | 3×95+1×50 |
| PTR14 - 404kW | 380 | 550 | 400 | 798 | 6,8 | 446 | 2900 | 90,5 | 0,85 | | 3×95+1×50 |

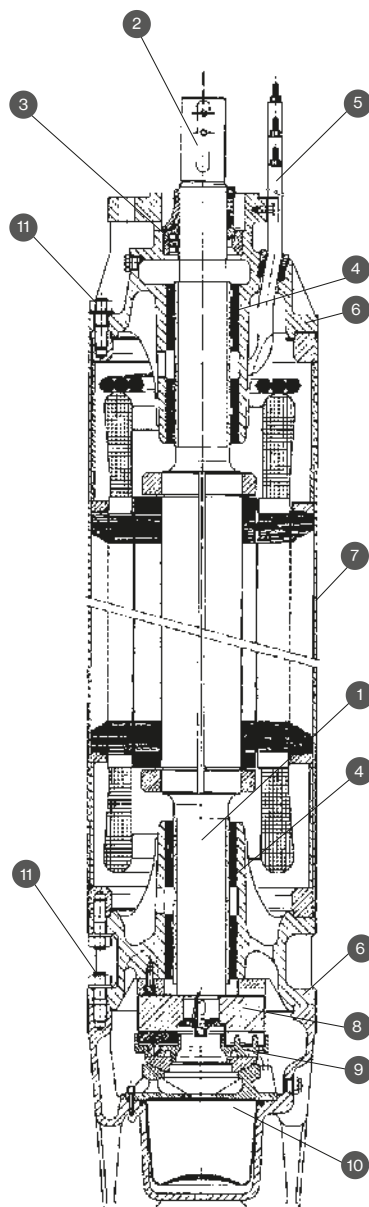
| TYPE | DIMENSIONS | | | | Kg |
|---------------|------------|-----|-----------------|---------|------|
| | Power | | Axial load N | L mm | |
| | HP | kW | | | |
| PTR12 - 220kW | 300 | 220 | 70000 | 2110 | 700 |
| PTR12 - 250kW | 340 | 250 | | 2280 | 775 |
| PTR14 - 294kW | 400 | 300 | 70000 | 2020 | 845 |
| PTR14 - 330kW | 450 | 330 | | 2160 | 906 |
| PTR14 - 367kW | 500 | 370 | | 2320 | 1010 |
| PTR14 - 404kW | 550 | 400 | | 2460 | 1105 |



POWER DERATING AT DIFFERENT LIQUID TEMPERATURE



The graph above does not include the PTR12 220kW, 250kW and 300kW models. The maximum temperature is 10° C for models PTR12 220kW and 250kW, 25° C for PTR12 300kW.



| N. | PARTS | STD VERSION | VERSION 316 SS | VERSION 904 SS |
|----|-------------------------|--------------------------|--------------------------|--------------------------|
| 1 | SHAFT | stainless steel | stainless steel | stainless steel |
| 2 | SHAFT TERMINAL | AISI 316 stainless steel | AISI 316 stainless steel | AISI 904 stainless steel |
| 3 | MECHANICAL SEAL | ceramic/carbon | SIC/SIC | SIC/SIC |
| 4 | BUSHES | steel/NBR | steel/NBR | steel/NBR |
| 5 | CABLE | EPDM | EPDM | EPDM |
| 6 | STRUCTURAL PARTS | cast iron | AISI 316 stainless steel | AISI 904 stainless steel |
| 7 | JACKET | AISI 316 stainless steel | AISI 316 stainless steel | AISI 904 stainless steel |
| 8 | THRUST PLATE | steel | steel | steel |
| 9 | THRUST BEARING | steel/NBR | steel/NBR | steel/NBR |
| 10 | DIAPHRAGM | EPDM | EPDM | EPDM |
| 11 | SCREWS | AISI 304 stainless steel | AISI 316 stainless steel | AISI 904 stainless steel |