

ULTRA SLG/SLXG

Multistage Vertical

Stainless steel multistage vertical pumps. For non-loaded clean fluids, pressurizing system, irrigation, drinking and glycol water, water treatment, food industry, heating and air conditioning, washing system.



ULTRA 3-5-7-9 SLG



ULTRA 3-5-7 SLXG



ULTRA 9 SLXG



Construction features

Pump body	cast iron (SLG); stainless steel AISI 304 (SLXG)
Motor bracket	cast iron
Impellers, diffusers, shell, motor shaft	stainless steel AISI 304
Mechanical seal	graphite-tungsten carbide-EPDM
Intermediate shaft guiding stage bush	ceramic-tungsten carbide
Ambient temperature	max 40 °C
Liquid temperature	-15 ÷ +110 °C
Max operating pressure	max 25 bar
Pump body gasket	EPDM

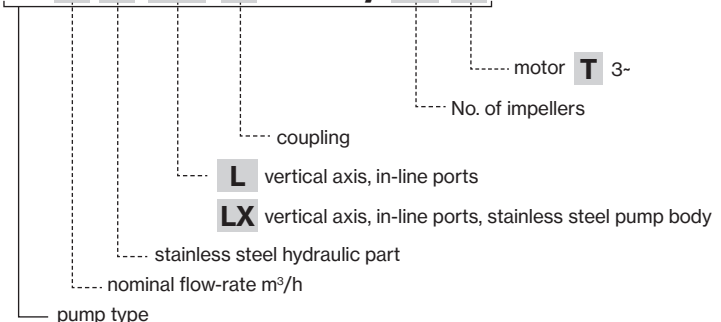
Motor

2 poles induction motor	3- 230/400V-50Hz P ≤ 4kW 3- 400/690V-50Hz P > 4kW
Insulation class	F
Protection degree	IPX5



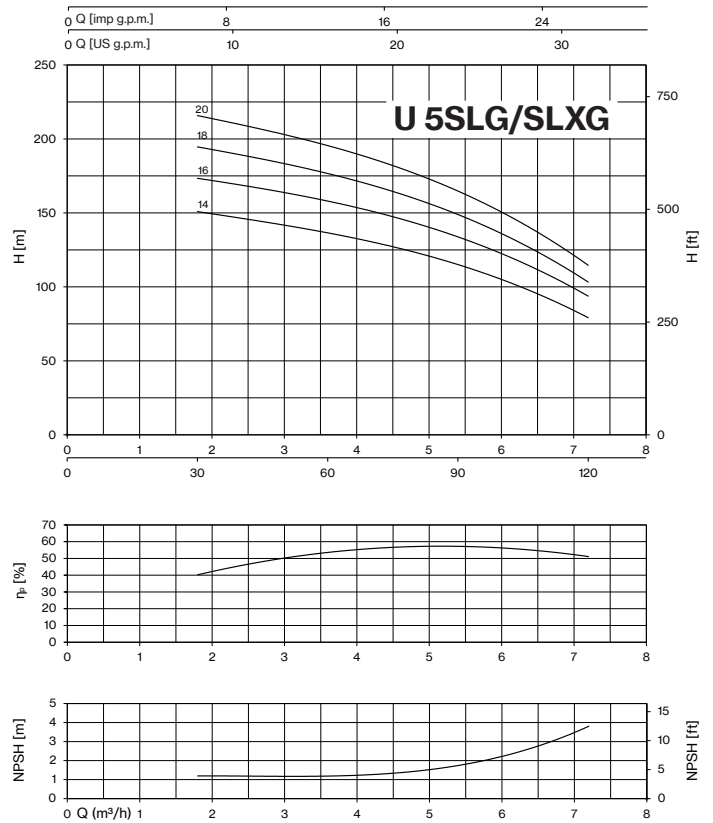
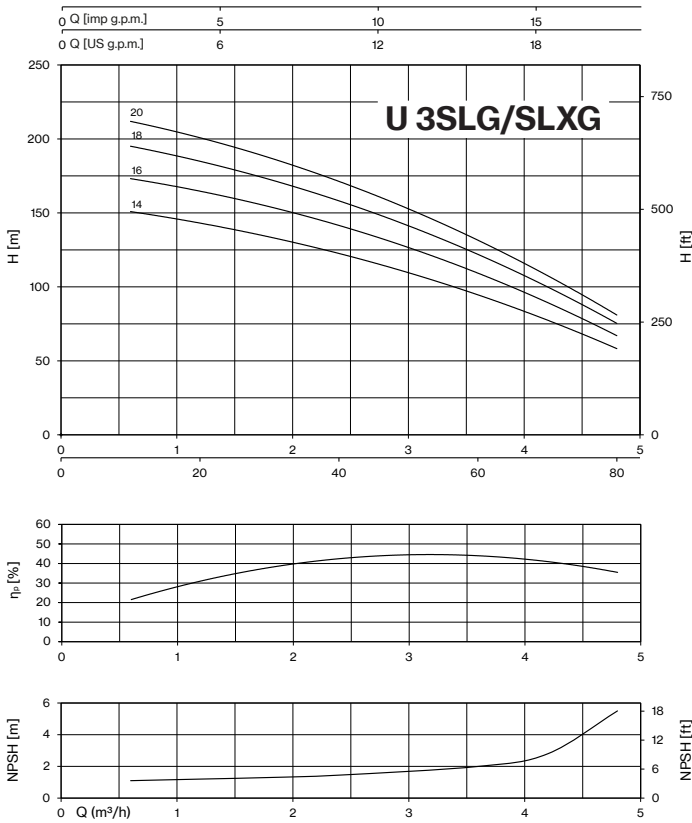
MODEL	LOTS			
	TRUCK		CONTAINER	
	PALLET (cm)	N° pumps	PALLET (cm)	N° pumps
U 3SLG/SLXG-350/14T-380/16T	100×120×150	12	100×120×150	12
U 3SLG/SLXG-400/18T-450/20T	100×135×150	12	100×135×150	12
U 5SLG/SLXG-400/14T-450/16T	100×120×150	12	100×120×150	12
U 5SLG/SLXG-550/18T-600/20T	100×135×150	12	100×135×150	12
U 7SLG/SLXG-750/12T-800/14T	100×120×150	12	100×120×150	12
U 7SLG/SLXG-900/16T-1000/20T	100×135×150	12	100×135×150	12
U 9SLG/SLXG-750/12T-800/14T	100×120×150	12	100×120×150	12
U 9SLG/SLXG-900/16T-1000/20T	100×135×150	12	100×135×150	12

U 3 S L X G - 350 / 14 T



More details of the mechanical seals are included on page 83

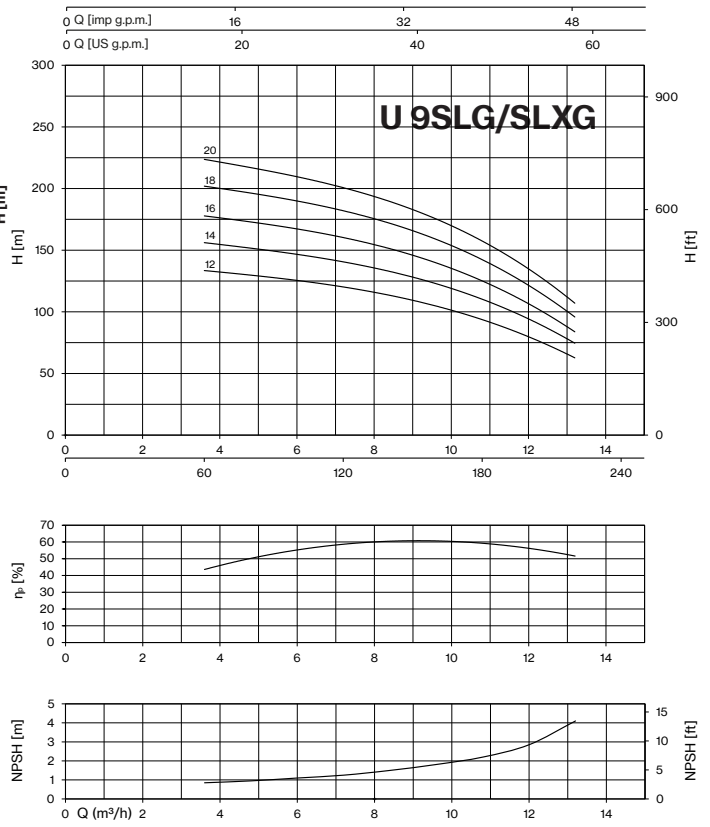
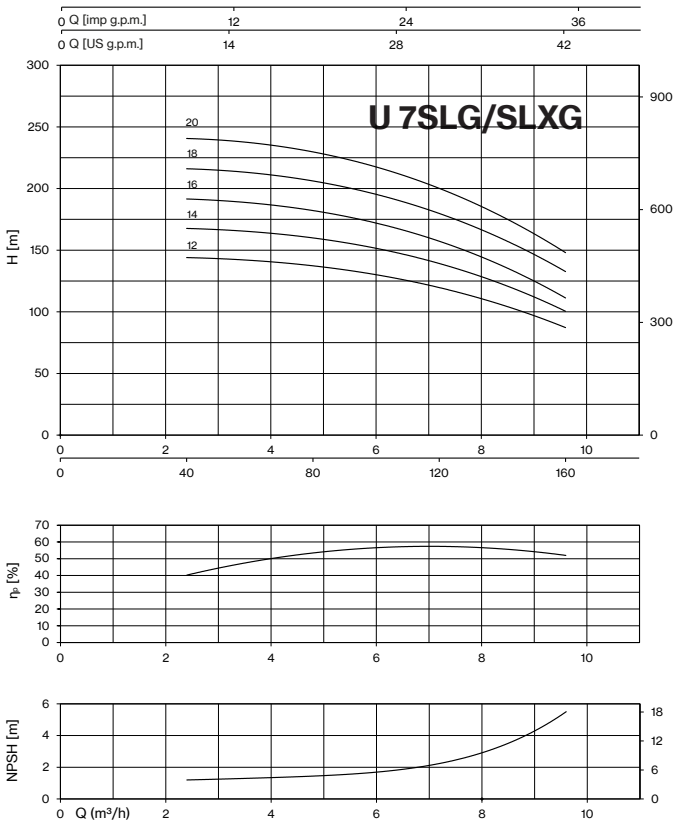
ULTRA SLG/SLXG



TYPE - 50 Hz	P2		P1	CURRENT 3- 400V	Q (m³/h - l/min)						
					0	0,6	1,2	1,8	2,4	3,6	4,8
	HP	kW	kW	A	0	10	20	30	40	60	80
3-	H (m)										
U 3...-350/14T	3	2,2	2,5	4,7	154,8	150,9	143,2	133,7	122,5	94,7	58,2
U 3...-380/16T	4	3	2,9	5,5	177,5	173,2	164,6	154,5	141,3	109,4	67,0
U 3...-400/18T	4	3	3,2	6,0	200,3	195,1	184,9	172,8	158,0	122,1	75,3
U 3...-450/20T	4	3	3,6	6,5	218,3	211,9	200,6	187,4	171,4	131,5	81,0

TYPE - 50 Hz	P2		P1	CURRENT 3- 400V	Q (m³/h - l/min)						
					0	1,8	2,4	3,6	4,8	6	7,2
	HP	kW	kW	A	0	30	40	60	80	100	120
3-	H (m)										
U 5...-400/14T	4	3	3,5	6,3	159,2	150,7	146,7	136,6	122,9	105,5	79,0
U 5...-450/16T	5,5	4	4,1	7,9	182,0	173,2	169,1	158,0	142,9	122,9	93,6
U 5...-550/18T	5,5	4	4,5	8,3	204,4	194,4	189,5	176,5	159,6	136,3	103,2
U 5...-600/20T	5,5	4	5,0	8,9	226,7	215,5	210,0	195,5	176,3	151,1	114,5

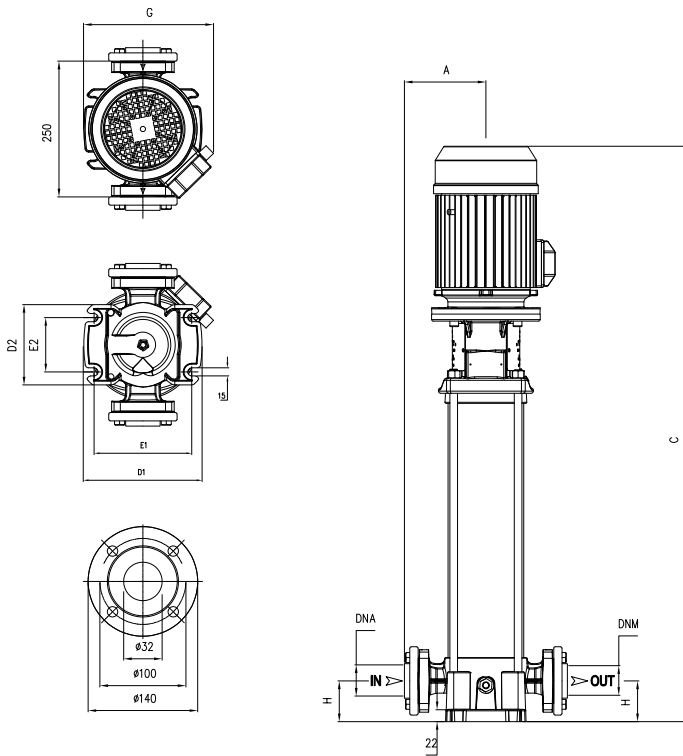
ULTRA SLG/SLXG



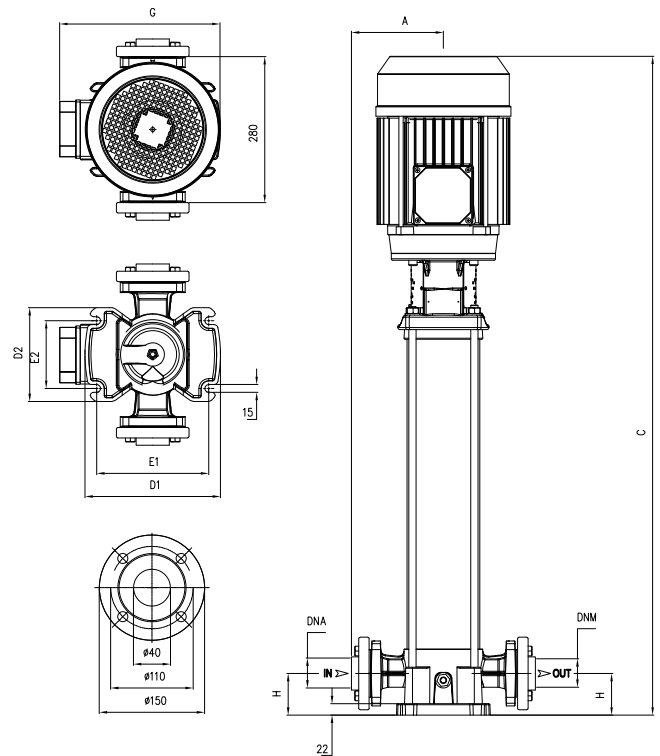
TYPE - 50 Hz	P2		P1	CURRENT 3- 400V	Q (m ³ /h - l/min)						
					0	2,4	3,6	4,8	6	7,2	9,6
					0	40	60	80	100	120	160
3~	HP	kW	kW	A	H (m)						
U 7...-750/12T	7,5	5,5	5,1	9,9	143,7	143,7	142,6	137,0	129,6	119,8	87,0
U 7...-800/14T	7,5	5,5	5,9	10,9	167,6	167,3	165,9	159,6	151,0	139,5	100,3
U 7...-900/16T	7,5	5,5	6,7	12,0	191,5	191,2	189,3	181,7	171,5	157,7	111,1
U 7...-950/18T	10	7,5	7,4	12,4	215,5	215,7	213,9	205,8	194,7	179,8	132,3
U 7...-1000/20T	10	7,5	8,2	13,5	240,3	240,2	238,4	229,3	216,8	200,3	147,7

TYPE - 50 Hz	P2		P1	CURRENT 3- 400V	Q (m ³ /h - l/min)							
					0	3,6	4,8	6	7,2	9,6	12	13,2
					0	60	80	100	120	160	200	220
3~	HP	kW	kW	A	H (m)							
U 9...-750/12T	7,5	5,5	5,3	10,1	141,3	133,2	130,4	125,4	119,7	105,1	79,6	62,7
U 9...-800/14T	7,5	5,5	6,1	11,1	165,5	155,7	152,6	146,5	139,9	123,4	94,0	74,6
U 9...-900/16T	10	7,5	6,9	12,8	188,7	177,6	173,6	167,1	159,7	140,4	106,2	83,9
U 9...-950/18T	10	7,5	7,6	12,7	213,8	201,6	197,3	189,6	181,2	159,9	121,0	96,0
U 9...-1000/20T	10	7,5	8,5	13,9	236,7	223,1	218,3	209,3	199,8	176,1	134,5	107,0

U 3-5-7 SLG/SLXG





U 9 SLG/SLXG



TYPE	DIMENSIONS (mm)										Kg	
	A	C	D1	D2	E1	E2	G	H	DNA	DNM	SLG	SLXG
U 3SLG-350/14T	155	932	220	150	180	100	236	75	1" ¼ G	1" ¼ G	54	
U 3SLG-380/16T	155	977	220	150	180	100	236	75			58,5	
U 3SLG-400/18T	155	1025	220	150	180	100	236	75			60,5	
U 3SLG-450/20T	155	1098	220	150	180	100	251	75			65,5	
U 3SLXG-350/14T	155	932	260	180	215	130	236	75	1" ¼ G	1" ¼ G	53,5	
U 3SLXG-380/16T	155	977	260	180	215	130	236	75			58	
U 3SLXG-400/18T	155	1025	260	180	215	130	236	75			60,5	
U 3SLXG-450/20T	155	1098	260	180	215	130	251	75			64,5	
U 5SLG-400/14T	155	932	220	150	180	100	251	75	1" ¼ G	1" ¼ G	57	
U 5SLG-450/16T	155	1000	220	150	180	100	251	75			66	
U 5SLG-550/18T	155	1048	220	150	180	100	251	75			68	
U 5SLG-600/20T	155	1098	220	150	180	100	260	75			70	
U 5SLXG-400/14T	155	932	260	180	215	130	251	75	1" ¼ G	1" ¼ G	56,5	
U 5SLXG-450/16T	155	1000	260	180	215	130	251	75			65,5	
U 5SLXG-550/18T	155	1048	260	180	215	130	251	75			68	
U 5SLXG-600/20T	155	1098	260	180	215	130	260	75			69	
U 7SLG-750/12T	155	940	220	150	180	100	260	75	1" ¼ G	1" ¼ G	70	
U 7SLG-800/14T	155	988	220	150	180	100	260	75			71,5	
U 7SLG-900/16T	155	1036	220	150	180	100	260	75			74	
U 7SLG-950/18T	155	1081	220	150	180	100	288	75			87,5	
U 7SLG-1000/20T	155	1128	220	150	180	100	288	75	1" ¼ G	1" ¼ G	87,5	
U 7SLXG-750/12T	155	940	260	180	215	130	260	75			70	
U 7SLXG-800/14T	155	988	260	180	215	130	260	75			71,5	
U 7SLXG-900/16T	155	1036	260	180	215	130	260	75			73,5	
U 7SLXG-950/18T	155	1081	260	180	215	130	288	75	1" ½ G	1" ½ G	87,5	
U 7SLXG-1000/20T	155	1128	260	180	215	130	288	75			88,5	
U 9...-750/12T	170	1027	260	180	215	130	280	80	1" ½ G	1" ½ G	74,5	73,5
U 9...-800/14T	170	1088	260	180	215	130	280	80			76,5	75
U 9...-900/16T	170	1147	260	180	215	130	280	80			83	82
U 9...-950/18T	170	1205	260	180	215	130	308	80			91,5	91
U 9...-1000/20T	170	1263	260	180	215	130	308	80			93,5	93

ULTRA SV-SL-SLG Serie-Mechanical seal and bearings

MECHANICAL SEAL	PUMP MODEL	SHAFT Ø		STANDARD MATERIAL	OPTIONAL
					2
	U3-100/5, U3-120/6, U5-120/4, U5-150/5, U5-180/6, U7-180/4, U7-250/5, U7-300/6, U9-200/4, U9-250/5, U18-250/3, U18-400/4	14mm / S	Rotating face Stationary face Elastomer	Graphite Ceramic EPDM	SiC SiC EPDM
	U3-150/7, U3-180/8, U3-200/9, U3-250/10, U3-280/11, U3-300/12, U5-200/7, U5-250/8, U5-280/9, U5-300/10, U5-350/11, U5-380/12, U7-350/7, U7-400/8, U7-450/9, U7-550/10, U9-300/6, U9-400/7, U9-450/8, U9-500/9, U9-550/10	14mm	Rotating face Stationary face Elastomer	Graphite SiC EPDM	SiC SiC EPDM
	U18-450/5, U18-550/6, U18-750/8, U18-900/9	14mm / L	Rotating face Stationary face Elastomer	Graphite SiC EPDM	SiC SiC EPDM
	U3-350/14, U3-380/16, U3-400/18, U3-450/20, U5-400/14, U5-450/16, U5-550/18, U5-600/20, U7-750/12, U7-800/14, U7-900/16, U7-950/18, U7-1000/20, U9-750/12, U9-800/14, U9-900/16, U9-950/18, U9-1000/20	14mm / Balanced seal	Rotating face Stationary face Elastomer	Tungsten carbide Graphite EPDM	- - -

BEARINGS	PUMP MODEL	TYPE	
	U3-100/5, U3-120/6, U5-120/4	6202-ZZ	6302-ZZ C3
	U3-150/7, U3-180/8, U3-200/9, U3-250/10, 3- U3-280/11, 3- U3-300/12, U5-150/5, U5-180/6, U5-200/7, U5-250/8, 3- U5-280/9, 3- U5-300/10, U7-180/4, U7-250/5, 3- U7-300/6, U9-200/4, U9-250/5, 3- U9-300/6, U18-250/3	6203-ZZ	6304-ZZ C3
	1- U3-280/11, 1- U3-300/12, 1- U5-280/9, 1- U5-300/10, U5-350/11, U5-380/12, 1- U7-300/6, U7-350/7, U7-400/8, 1- U9-300/6, U9-400/7, U18-400/4, U3-350/14, U3-380/16, U3-400/18, U5-400/14	6203-ZZ	6305-ZZ C3
	U7-450/9, U7-550/10, U9-450/8, U9-500/9, U9-550/10, U18-450/5, U18-550/6	6204-ZZ	6306-ZZ-C3
	U3-450/20, U5-450/16, U5-550/18, U5-600/20	6204-ZZ	3206-ZZ C3
	U7-750/12, U7-800/14, U7-900/16, U9-750/12, U9-800/14, U9-900/16, U18-750/8, U18-900/9	6206-ZZ C3	3306-ZZ C3
	U7-950/18, U7-1000/20, U9-950/18, U9-1000/20	6206-ZZ C3	3308-ZZ C3

ULTRA V/L/H + VSD

Vertical booster pump with variable speed drive

ULTRA V



EPIC / EPIC-A

IPFC

ULTRA L



EPIC / EPIC-A

IPFC

ULTRA H



IPFC

DESCRIPTION

Vertical pump of ULTRA series provided with variable speed drive EPIC, EPIC-A or IPFC. This booster pump assures a desired pressure regardless of changes on flow demand making it suitable for low or missing pressure in residential systems and industrial applications. It is required the installation of a membrane tank downstream the system.

FEATURES

- EPIC, EPIC-A or IPFC variable speed drive
- Three-phase vertical pump of ULTRA series
- Pressure sensor wired to the vsd
- Cable with plug for EPIC vsd only

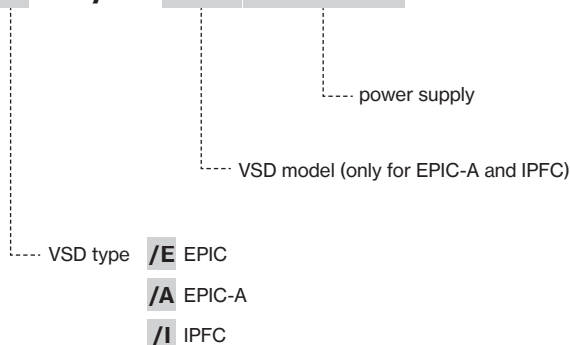
FUNCTIONING

If the pressure in the network drops the pump will start and gradually speeds up to provide with the set pressure. When the water demand decreases, the pressure will rise causing the pump speed to slow down and eventually to stop the pump if demand ceases. The pump will remain on standby waiting to start at the next water demand.

SELECTION

The next table shows the vertical ULTRA pump models available for the assembly with EPIC, EPIC-A or IPFC. For pumps longer than 1.4m, IPFC is not assembled onto the motor fan cover but is supplied with a wall-mounting kit. Consult the catalog at the ULTRA series for pump specifics and characteristic curves.

U3SL /A 100/5 T -304 3×400-50



ULTRA+VSD

3- PUMP					VSD TYPE			
TYPE					Power supply			
		SV	SL/SLX	SLG/ SLGX	1-230V		3-400V	
U 3	100/5T	■	■	-	EPIC	IPFC 109	EPIC-A 304	IPFC 306
	120/6T	■	■	-				
	150/7T	■	■	-				
	180/8T	■	■	-				
	200/9T	■	■	-				
	250/10T	■	■	-		-	IPFC 114	EPIC-A 306
	280/11T	■	■	-				
	300/12T	■	■	-				
	350/14T	-	-	■				
	380/16T	-	-	■				
	400/18T	-	-	■				
450/20T	-	-	■	-	-	IPFC 309		
U 5	120/4T	■	■	-	EPIC	IPFC 109	EPIC-A 304	IPFC 306
	150/5T	■	■	-				
	180/6T	■	■	-				
	200/7T	■	■	-				
	250/8T	■	■	-				
	280/9T	■	■	-		-	IPFC 114	EPIC-A 306
	300/10T	■	■	-				
	350/11T	■	■	-				
	380/12T	■	■	-				
	400/14T	-	-	■				
	450/16T	-	-	■				
550/18T	-	-	■	-	-	IPFC 309		
600/20T	-	-	■	-	-	IPFC 311		
U 7	180/4T	■	■	-	EPIC	IPFC 109	EPIC-A 304	IPFC 306
	250/5T	■	■	-				
	300/6T	■	■	-		-	IPFC 114	EPIC-A 306
	350/7T	■	■	-				
	400/8T	■	■	-				
	450/9T	■	■	-				
	550/10T	■	■	-				
	750/12T	-	-	■				
	800/14T	-	-	■				
	900/16T	-	-	■				
	950/18T	-	-	■				
1000/20T	-	-	■	-	-	IPFC 309		
U 9	200/4T	■	■	-	EPIC	IPFC 109	EPIC-A 304	IPFC 306
	250/5T	■	■	-				
	300/6T	■	■	-		-	IPFC 114	EPIC-A 306
	400/7T	■	■	-				
	450/8T	■	■	-				
	500/9T	■	■	-				
	550/10T	-	-	-				
	550/10T	■	■	-				
	750/12T	-	-	■				
	800/14T	-	-	■				
	900/16T	-	-	■				
950/18T	-	-	■	-	-	IPFC 309		
1000/20T	-	-	■	-	-	IPFC 311		
							IPFC 314	
							IPFC 318	

3~ PUMP						VSD TYPE		
TYPE						Power supply		
		SV	SL/SLX	HS	HX	1-230V	3-400V	
U 18	100/1T	-	-	-	■	IPFC 109	EPIC-A 304	IPFC 306
	200/2T	-	-	-	■			
	300/3T	-	-	-	■	IPFC 114	EPIC-A 306	
	250/3T	■	■	-	-			
	400/4T	-	-	-	■		EPIC-A 309	IPFC 309
	450/5T	■	■	-	-			
	550/5T	-	-	-	■		IPFC 311	
	550/6T	■	■	-	-			
	750/6T	-	-	-	■		IPFC 314	
	750/7T	-	-	-	■			
	750/8T	■	■	-	-		IPFC 318	
	1000/8T	-	-	-	■			
	1000/9T	-	-	-	■		IPFC 325	
	900/9T	■	■	-	-			
	920/10T	-	-	-	-		IPFC 330	
	1000/11T	-	-	-	-			
	1500/10T	-	-	-	■		IPFC 306	
	1500/11T	-	-	-	■			
	1500/12T	-	-	-	■			
	1500/13T	-	-	-	■			
1500/14T	-	-	-	■				
2000/15T	-	-	-	■				
2000/16T	-	-	-	■				
2000/17T	-	-	-	■				
U 22	200/1T	-	-	-	■	IPFC 109		IPFC 306
	300/2T	-	-	-	■	IPFC 114		
	400/3T	-	-	-	■			IPFC 309
	550/4T	-	-	-	■			IPFC 311
	750/5T	-	-	-	■			IPFC 314
	1000/6T	-	-	-	■			IPFC 318
	1000/7T	-	-	-	■			
	1500/8T	-	-	-	■			IPFC 325
	1500/9T	-	-	-	■			
	1500/10T	-	-	-	■			IPFC 330
	2000/11T	-	-	-	■			
	2000/12T	-	-	-	■			
	2000/13T	-	-	-	■			
	2000/14T	-	-	-	■			

ULTRA+VSD

		3- PUMP				VSD TYPE		
TYPE		SV	SL/SLX	HS	HX	Power supply		
						1-230V	3-400V	
U 35	300/1T	-	-	■	■	-	IPFC 114	IPFC 306
	550/2-2RT	-	-	■	■		IPFC 309	
	550/2-1RT	-	-	■	■		IPFC 311	
	750/2T	-	-	■	■		IPFC 314	
	750/3-2RT	-	-	■	■		IPFC 318	
	1000/3-1RT	-	-	■	■		IPFC 325	
	1000/3T	-	-	■	■			
	1000/4-2RT	-	-	■	■			
	1500/4-1RT	-	-	■	■			
	1500/4T	-	-	■	■		IPFC 330	
	1500/5-2RT	-	-	■	■			
	1500/5-1RT	-	-	■	■			
	2000/5T	-	-	■	■			
	2000/6-2RT	-	-	■	■		-	
	2000/6-1RT	-	-	■	■			
	2000/6T	-	-	■	■			
2000/7-2RT	-	-	■	■				
2000/7-1RT	-	-	■	■				
U 50	400/1-1RT	-	-	■	■	-	IPFC 114	IPFC 306
	550/1T	-	-	■	■		IPFC 309	
	750/2-2RT	-	-	■	■		IPFC 311	
	1000/2T	-	-	■	■		IPFC 318	
	1500/3-2RT	-	-	■	■		IPFC 325	
	1500/3T	-	-	■	■		IPFC 330	
	2000/4-2RT	-	-	■	■		-	
	2000/4T	-	-	■	■			
	2500/5-2RT	-	-	■	■			
	2500/5T	-	-	■	■			
	3000/6-2RT	-	-	■	■			
	3000/6T	-	-	■	■			
	4000/7-2RT	-	-	■	■			
U 75	550/1-1RT	-	-	■	■	-	IPFC 309	
	750/1T	-	-	■	■		IPFC 311	
	1000/2-2RT	-	-	■	■		IPFC 318	
	1500/2-1RT	-	-	■	■		IPFC 325	
	1500/2T	-	-	■	■		IPFC 330	
	2000/3-2RT	-	-	■	■		-	
	2000/3-1RT	-	-	■	■			
	2500/3T	-	-	■	■			
	2500/4-2RT	-	-	■	■			
	3000/4-1RT	-	-	■	■			
	3000/4T	-	-	■	■			
4000/5-2RT	-	-	■	■				
U 90	750/1-1RT	-	-	■	■	-	IPFC 311	
	1000/1T	-	-	■	■		IPFC 318	
	1500/2-2RT	-	-	■	■		IPFC 325	
	2000/2T	-	-	■	■		IPFC 330	