



Pumps ideal for counter-current swimming, water parks, fountains, waterfalls, etc. The pump body in polypropylene reinforced with glass fiber allows to resist the chemicals of the pools and guarantee excellent durability.

Construction features

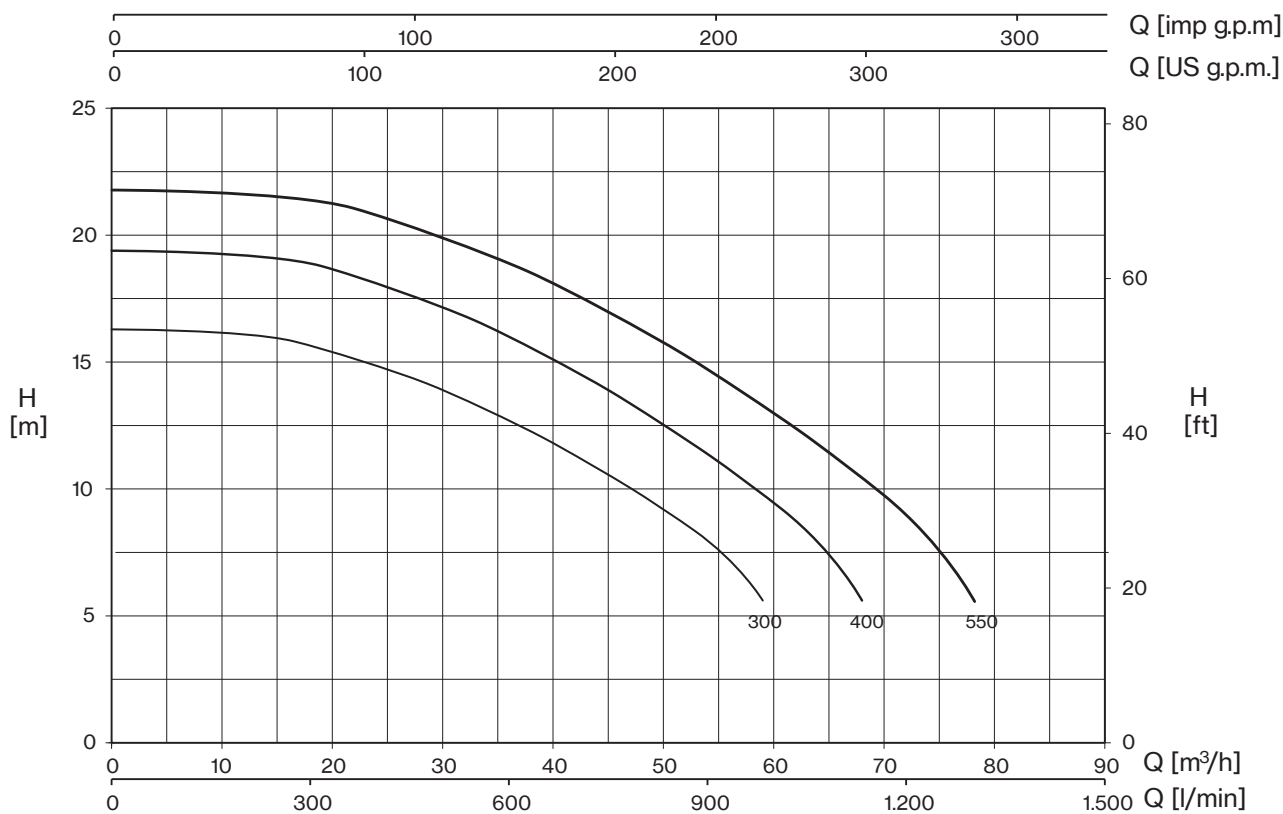
Painting	cataphoresis
Pump body, seal housing, diffuser	polypropylene + fiberglass
Motor bracket	aluminum
Impeller	Noryl®, marine bronze on request
Mechanical seal	ceramic-graphite-AISI 316
Motor shaft	stainless steel AISI 316
Liquid temperature	max 40 °C

Motor

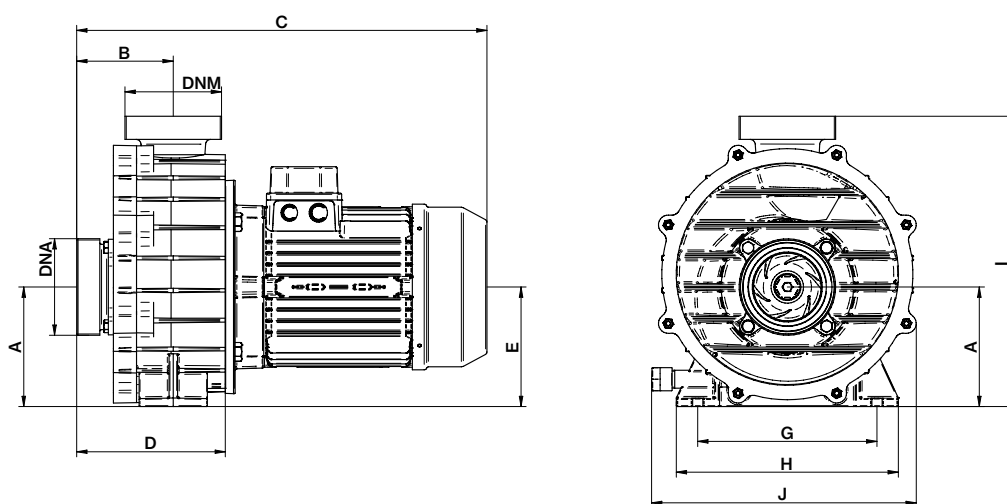
2 poles induction motor	1~ 220V - 60Hz 3~ 220/380V - 60Hz
Insulation class	F
Protection degree	IP55



POOL5



TYPE		P2		AMPERE			H (m)						
1~	3~	HP	kW	1~	3~	3~	6	8	10	12	14	16	18
				220V	220V	380V	Q (m³/h)						
POOL5 300M	POOL5 300T	3	2,2	16	9,4	5,3	59,0	54,0	47,0	39,0	28,0	16,0	
	POOL5 400T	4	3	-	12,5	6,9	68,0	63,0	58,0	52,0	45,0	36,0	23,0
	POOL5 550T	5,5	4	-	-	8,8	78,0	74,0	70,0	65,0	59,0	50,0	39,0



TYPE	DIMENSIONS (mm)										Kg
	A	B	C	D	E	G	H	I	J	DNA	
POOL5 300M	140	113	480	174	140	210	260	420	310	3" Ø 90 PVC	23
POOL5 300T	140	113	480	174	140	210	260	420	310		28
POOL5 400T	140	113	480	174	140	210	260	420	310		37
POOL5 550T	140	113	480	174	140	210	260	420	310		