

POOL4-I

Swimming Pool



POOL4-I commercial pool pumps integrate a variable speed drive with 3 configurable speeds for a greater comfort and minimized energy costs. The system allows the programming of 4 daily filtration cycles with different operating speed for each cycle. In installations with several POOL4-I the pumps automatically communicate and alternate to work the same amount of hours. Capable to work more than one pump at the same time.



Variable speed drive

Construction features

Painting	cataphoresis
Pump body, seal housing, diffuser	polypropylene + fiberglass
Motor bracket	aluminum
Impeller	Noryl®, marine bronze on request
Mechanical seal	ceramic-graphite-AISI 316
Motor shaft	stainless steel AISI 316
Liquid temperature	max 40 °C
Pre-filter cover	polycarbonate
Support base	Noryl®

VSD

Power supply 3~ 380V - 60Hz

Motor

4 or 2 poles induction motor 3~ 220V/380V - 60Hz
3~ 380V/660V - 60Hz

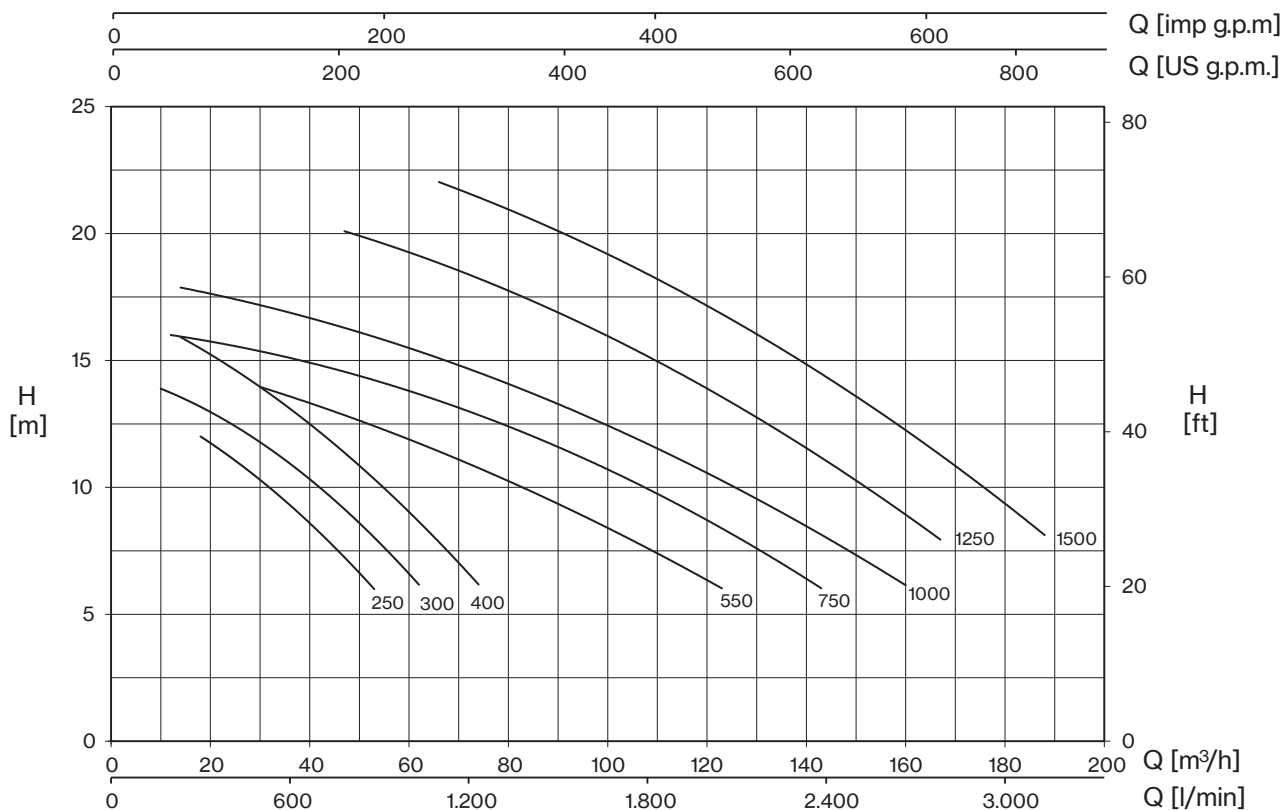
Insulation class F

Protection degree IP55

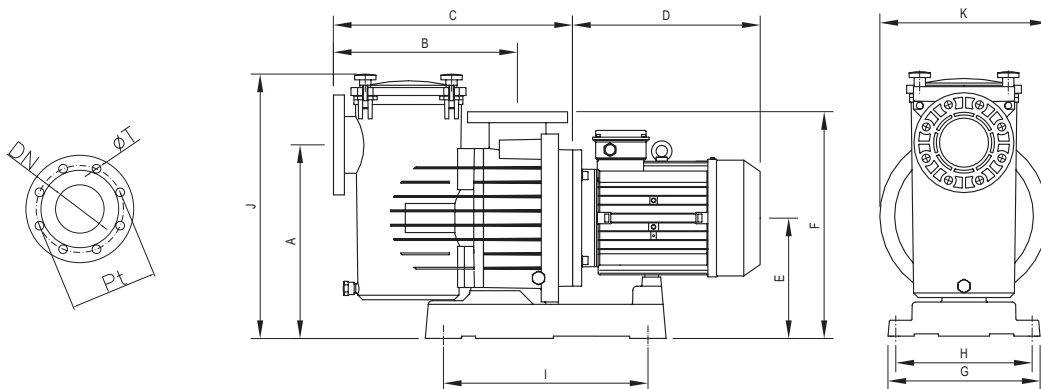
UP TO
65%
ENERGY SAVING



POOL4-I



TYPE - 60 Hz	P2		CURRENT		rpm	H (m)											Minimum size of suction pipe	
			380V			6	8	10	12	14	16	18	20	22				
	HP	kW	A	Q (m³/h)														
3-																		
POOL4-I 4-250	2,5	1,8	4,9	1750	53	43	32	18										110
POOL4-I 4-300	3	2,2	5,3	1750	62	54	43	26	10									125
POOL4-I 4-400	4	3	6,9	1750	74	66	56	42	29	14								140
POOL4-I 4-550	5,5	4	8,8	1750	123	104	84	57	30									160
POOL4-I 4-750	7,5	5,5	12	1750	143	127	107	85	57	12								180
POOL4-I 4-1000	10	7,5	15,8	1750	160	145	126	107	80	48	14							180
POOL4-I 2-1250	12,5	9,2	18,5	3450		167	152	136	118	99	80	47						180
POOL4-I 2-1500	15	11	20,9	3450		188	177	162	146	130	112	92	66					200



TYPE	DIMENSIONS (mm)																			Kg
	A	B	C	D	E	F	G	H	I	J	K	DNA	DNM	ØT	Pt	A1	H1	L1		
3-																				
POOL4-I 4-250	420	405	530	310	265	495	335	300	450	590	370	110	16	180		385	595	840	42	
POOL4-I 4-300	420	405	530	310	265	495	335	300	450	590	370				385	595	840	42,5		
POOL4-I 4-400	420	405	530	310	265	495	335	300	450	590	370				385	595	840	44,5		
POOL4-I 4-550	420	405	530	335	265	495	335	300	450	590	370				385	715	1170	53,4		
POOL4-I 4-750	420	405	508	380	265	495	335	300	450	590	370				385	715	1170	66		
POOL4-I 4-1000	420	405	508	380	265	495	335	300	450	590	370				385	715	1170	76		
POOL4-I 2-1250	420	405	508	380	265	495	335	300	450	590	370				385	715	1170	84,5		
POOL4-I 2-1500	420	405	508	380	265	495	335	300	450	590	370				385	715	1170	85,5		