



Self priming pumps for pools with a large built-in pre-filter, which, together with the excellent hydraulic performance of the pump, generates a very high filtration capacity. The transparent polycarbonate lid easily allows inspection of the pre-filter sieve. Pump body, seal housing and diffuser reinforced with glass fibre polypropylene are resistant to chemical products used for pools and guarantee excellent duration.

Construction features

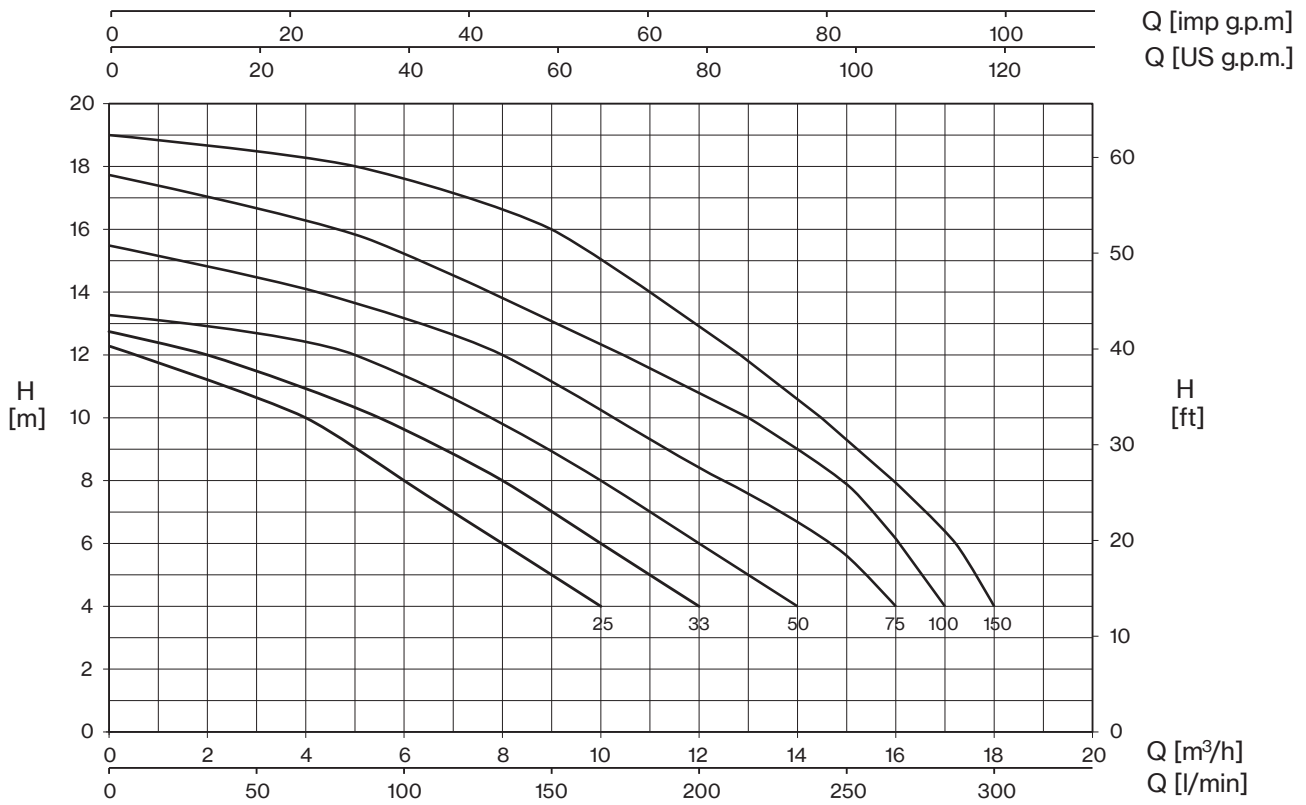
| | |
|--|----------------------------|
| Painting | cataphoresis |
| Pump body, seal housing, diffuser | polypropylene + fiberglass |
| Motor bracket | aluminum |
| Impeller | Noryl® |
| Mechanical seal | ceramic-graphite-AISI 316 |
| Motor shaft | stainless steel AISI 316 |
| Liquid temperature | max 40 °C |
| Pre-filter cover | polycarbonate |

Motor

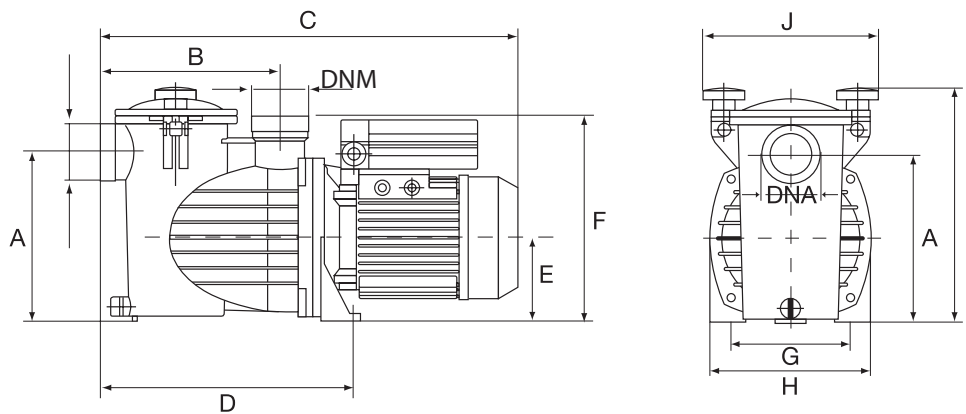
| | |
|--------------------------------|--------------------|
| | 3~ 220/380V - 60Hz |
| 2 poles induction motor | 1~ 220V - 60Hz |
| Insulation class | F |
| Protection degree | IP55 |

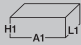



POOL1



| TYPE - 60 Hz | | P2 | | CURRENT | | | H (m) | | | | | | | |
|--------------|------------|------|------|---------|---------|---------|----------|------|------|------|------|------|-----|-----|
| 1~ | 3~ | | | 1~ 220V | 3~ 220V | 3~ 380V | 4 | 6 | 8 | 10 | 12 | 14 | 16 | 18 |
| | | HP | kW | A | | | Q (m³/h) | | | | | | | |
| POOL1 25M | POOL1 25T | 0,25 | 0,16 | 2,6 | 1,3 | 0,8 | 10,0 | 8,0 | 6,0 | 4,0 | 0,5 | | | |
| POOL1 33M | POOL1 33T | 0,33 | 0,25 | 2,9 | 1,9 | 1,1 | 12,0 | 10,0 | 8,0 | 5,5 | 2,0 | | | |
| POOL1 50M | POOL1 50T | 0,5 | 0,37 | 3,3 | 2,5 | 1,4 | 14,0 | 12,0 | 10,0 | 7,0 | 5,0 | | | |
| POOL1 75M | POOL1 75T | 0,75 | 0,55 | 3,8 | 3,0 | 1,7 | 16,0 | 15,0 | 12,5 | 10,0 | 8,0 | 4,2 | | |
| POOL1 100M | POOL1 100T | 1 | 0,75 | 4,2 | 3,4 | 2,0 | 17,0 | 16,0 | 15,3 | 13,0 | 10,5 | 7,6 | 5,5 | |
| POOL1 150M | POOL1 150T | 1,5 | 1,1 | 7,3 | 5,0 | 2,9 | 18,0 | 17,3 | 15,9 | 14,5 | 12,8 | 11,0 | 9,0 | 5,0 |



| TYPE | | DIMENSIONS (mm) | | | | | | | | | | |  L1 A1 H1 | | |  1~ 3~ | | |
|------------|------------|-----------------|-----|-----|-----|----|-----|-----|-----|-----|-----|--------------------|---|-----|-----|--|------|------|
| 1~ | 3~ | A | B | C | D | E | F | G | H | I | J | DNA | DNM | L1 | A1 | H1 | 1~ | 3~ |
| POOL1 25M | POOL1 25T | 191 | 205 | 470 | 285 | 95 | 233 | 140 | 180 | 265 | 197 | 1" 1/2 Ø 50 PVC | | 630 | 230 | 360 | 9,5 | 10,8 |
| POOL1 33M | POOL1 33T | 191 | 205 | 470 | 285 | 95 | 233 | 140 | 180 | 265 | 197 | | | 630 | 230 | 360 | 9,5 | 10,8 |
| POOL1 50M | POOL1 50T | 191 | 205 | 470 | 285 | 95 | 233 | 140 | 180 | 265 | 197 | | | 630 | 230 | 360 | 9,5 | 10,8 |
| POOL1 75M | POOL1 75T | 191 | 205 | 470 | 285 | 95 | 233 | 140 | 180 | 265 | 197 | | | 630 | 230 | 360 | 10,9 | 10,8 |
| POOL1 100M | POOL1 100T | 191 | 205 | 470 | 285 | 95 | 233 | 140 | 180 | 265 | 197 | | | 630 | 230 | 360 | 10,9 | 10,8 |
| POOL1 150M | POOL1 150T | 191 | 205 | 470 | 285 | 95 | 233 | 140 | 180 | 265 | 197 | | | 630 | 230 | 360 | 11,6 | 11,8 |